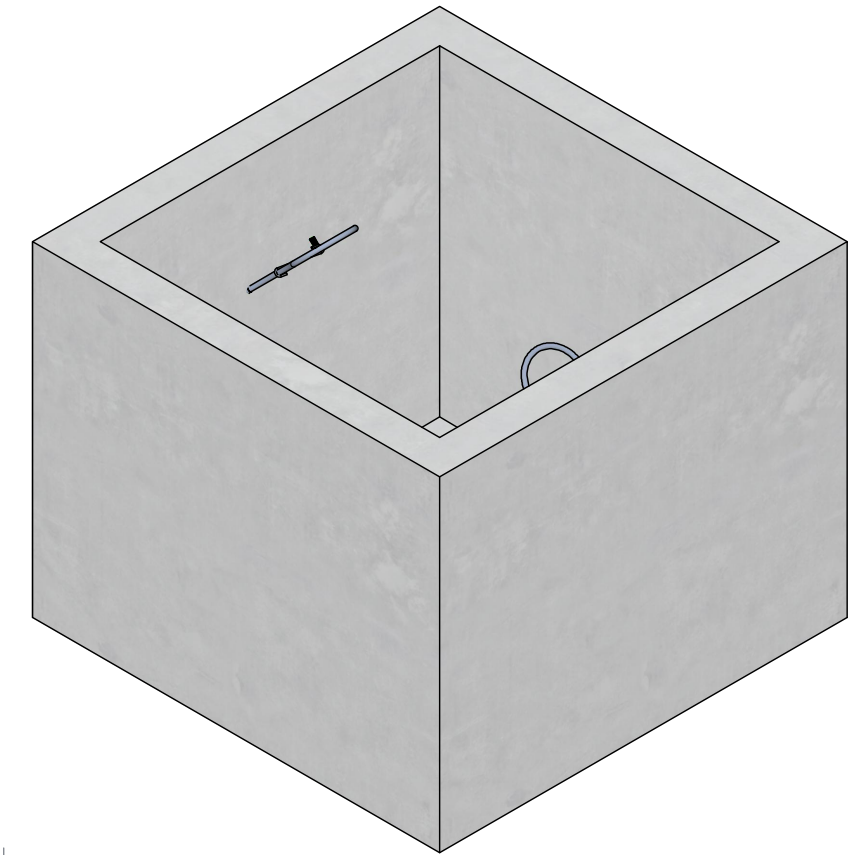
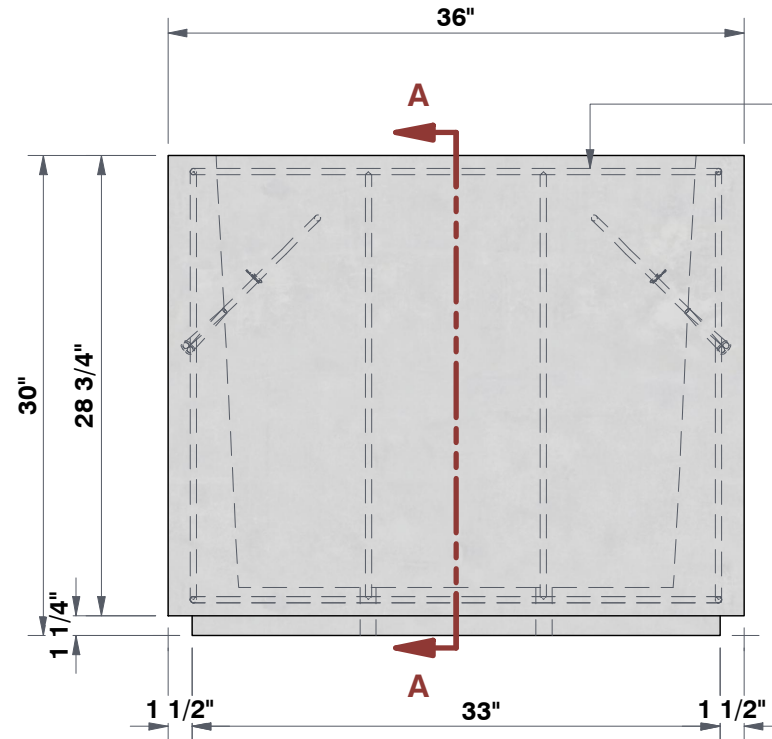


**TOP VIEW**  
1"=1'

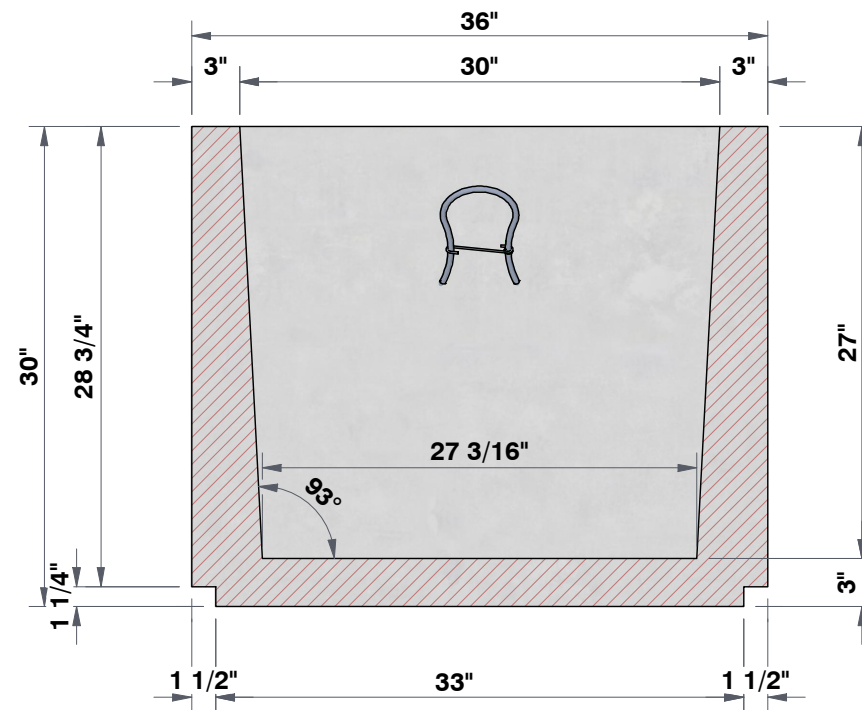


**ISOMETRIC VIEW**  
1"=1'



**FRONT VIEW**  
1"=1'

10M REBAR  
WELDED CAGE



**SECTION A-A**  
1"=1'

CUSTOMER DETAIL INFORMATION

|            |                 |
|------------|-----------------|
| QUANTITY   |                 |
| FINISH     |                 |
| COLOUR     |                 |
| WEIGHT     | 2555.49 LBS     |
| DIMENSIONS | 36" x 36" x 30" |



PROJECT DESCRIPTION:

**SQUARE PLANTER**  
**S3630**

DRAWN BY:  
**YJE**

REQD BY:  
**CA**

SCALE: 1"=1'

DATE: 2023/8/1

APPROVED BY:

SHEET NO:

1 - 1