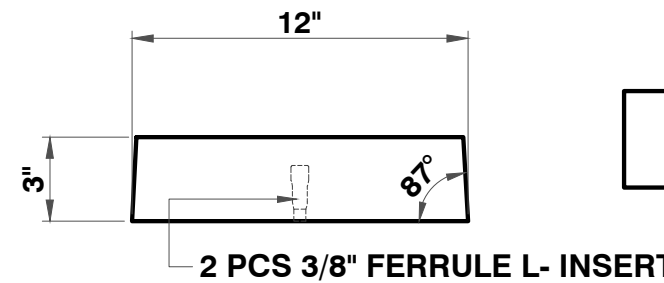
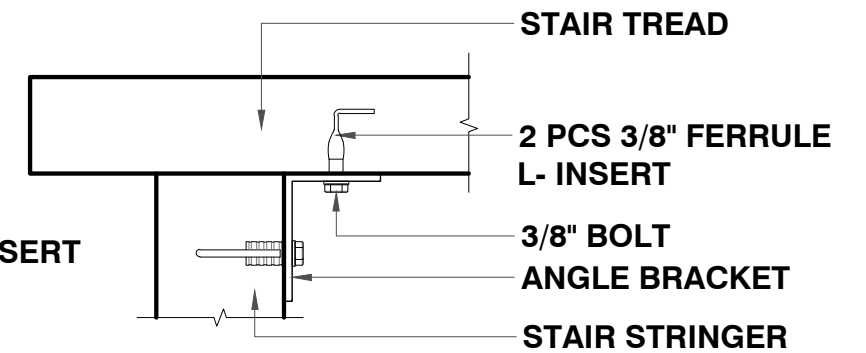


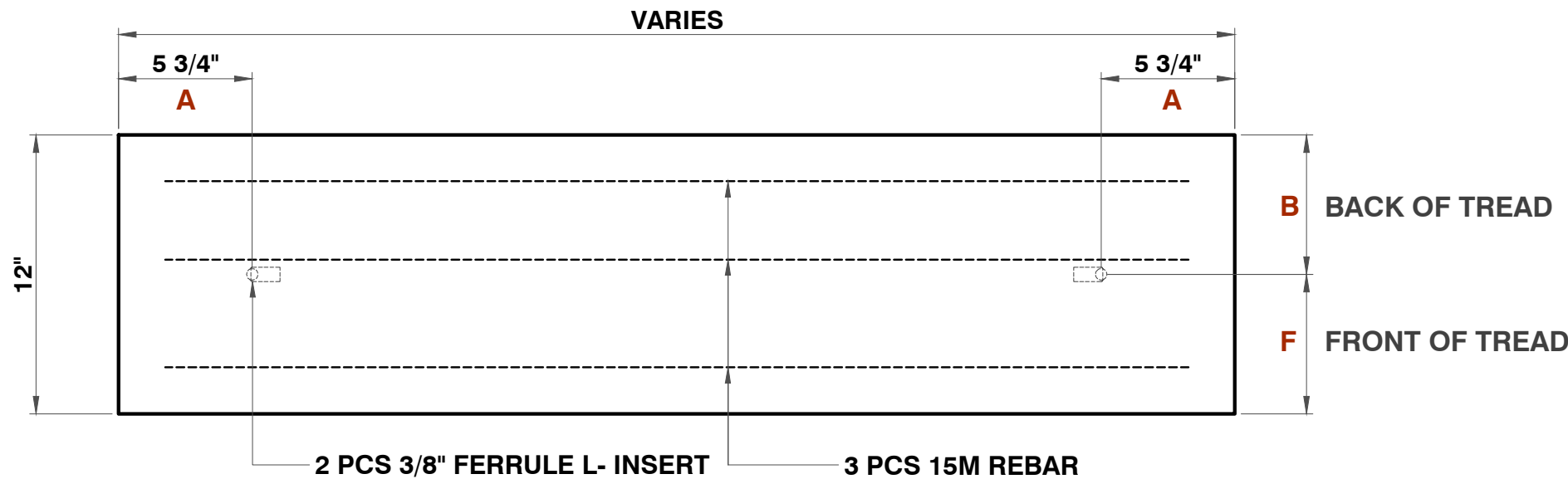
ELEVATION
1 3/4" = 1'



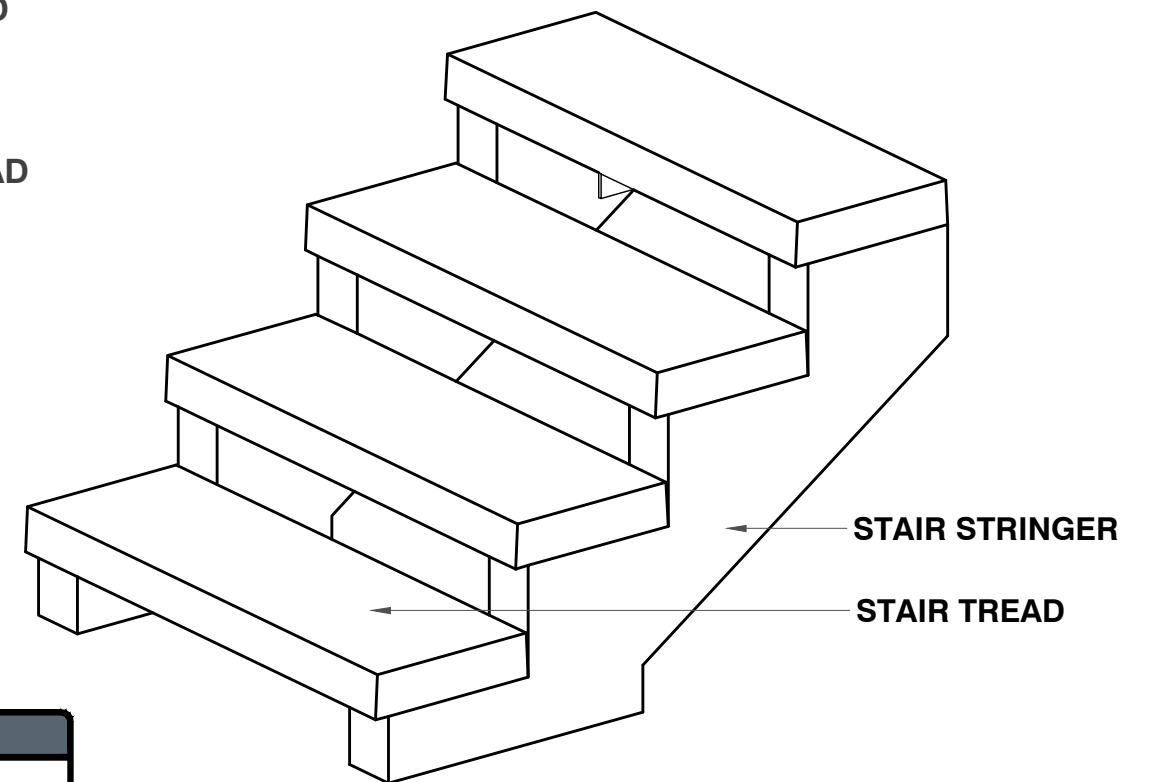
END VIEW
1 3/4" = 1'



CONNECTION DETAIL
2" = 1'



TOP VIEW
1 3/4" = 1'



3D DRAWING

STANDARD STAIR TREADS:

- LIGHT SANDBLAST AND EXPOSED AGGREGATE (ALSO AVAILABLE WITH BROOM FINISH AND NOSING TROWEL)
- SEE TROWELED TOP STAIR TREAD DRAWING)

STEEL FORM - TAPERED SIDES

INSERT LOCATIONS ARE +/- 1/4" (ALLOW FOR VARIANCE IN BRACKETS) (CUSTOM SQUARE SIDES AVAILABLE ON REQUEST)

INSERT LOCATIONS	
A = 5 3/4" UNLESS SPECIFIED:	
B = EQUAL UNLESS SPECIFIED:	
F = EQUAL UNLESS SPECIFIED:	

INFORMATION TABLE					
SIZE	WIDTH	THICKNESS	WEIGHT	REINFORCING	REBAR
36"	12"	3"	115 lbs	15 M	3 x 15M
48"	12"	3"	153 lbs	15 M	3 x 15M
60"	12"	3"	191 lbs	15 M	3 x 15M
72"	12"	3"	229 lbs	15 M	3 x 15M

NOTE : CUSTOM LENGTHS TO 96" AVAILABLE

CUSTOMER DETAIL INFORMATION	
QUANTITY	
AVAILABLE FINISHES	EXPOSED AGGREGATE, LIGHT SANDBLAST MEDIUM SANDBLAST, BROOM FINISH
AVAILABLE NOSING	BROOM FINISH, COLOURED CONCRETE, ANTI-SLIP TROWELED DETAILS, POLISHED & TERRAZZO, MEDIUM SANDBLAST CUSTOM NOSING
COLOUR (NATURAL)	COLOURED CONCRETE ALSO AVAILABLE
FERRULE LOOP INSERT	3/8" FERRULE L - INSERT"
DIMENSION	



PROJECT DESCRIPTION:
STANDARD STAIR TREADS

DRAWN BY: YJE	REQD BY: CA	RN.	DESCRIPTION	MM/DD/YY	SCALE: AS SHOWN
APPROVED BY:					DATE: 04/14/21
					DWG NO: 01